

RDKS-99 Reservdelar

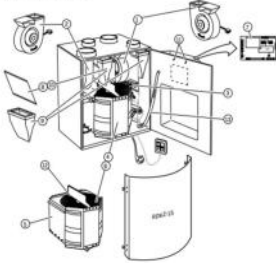
 Air Treatment



Introduction

RESERVDELAR RDKS Gen 1

VARIANT HÖJER RDKS-02
VARIANT LÅGNETO RDKS-02 LG VIKAL



Part	Part Number	Description	QTY	Unit	Location
1	1000000000	1000000000	1		
2	1000000000	1000000000	1		
3	1000000000	1000000000	1		
4	1000000000	1000000000	1		
5	1000000000	1000000000	1		
6	1000000000	1000000000	1		
7	1000000000	1000000000	1		
8	1000000000	1000000000	1		
9	1000000000	1000000000	1		
10	1000000000	1000000000	1		
11	1000000000	1000000000	1		
12	1000000000	1000000000	1		
13	1000000000	1000000000	1		
14	1000000000	1000000000	1		
15	1000000000	1000000000	1		
16	1000000000	1000000000	1		
17	1000000000	1000000000	1		
18	1000000000	1000000000	1		
19	1000000000	1000000000	1		
20	1000000000	1000000000	1		
21	1000000000	1000000000	1		
22	1000000000	1000000000	1		
23	1000000000	1000000000	1		
24	1000000000	1000000000	1		
25	1000000000	1000000000	1		
26	1000000000	1000000000	1		
27	1000000000	1000000000	1		
28	1000000000	1000000000	1		
29	1000000000	1000000000	1		
30	1000000000	1000000000	1		
31	1000000000	1000000000	1		
32	1000000000	1000000000	1		
33	1000000000	1000000000	1		
34	1000000000	1000000000	1		
35	1000000000	1000000000	1		
36	1000000000	1000000000	1		
37	1000000000	1000000000	1		
38	1000000000	1000000000	1		
39	1000000000	1000000000	1		
40	1000000000	1000000000	1		
41	1000000000	1000000000	1		
42	1000000000	1000000000	1		
43	1000000000	1000000000	1		
44	1000000000	1000000000	1		
45	1000000000	1000000000	1		
46	1000000000	1000000000	1		
47	1000000000	1000000000	1		
48	1000000000	1000000000	1		
49	1000000000	1000000000	1		
50	1000000000	1000000000	1		
51	1000000000	1000000000	1		
52	1000000000	1000000000	1		
53	1000000000	1000000000	1		
54	1000000000	1000000000	1		
55	1000000000	1000000000	1		
56	1000000000	1000000000	1		
57	1000000000	1000000000	1		
58	1000000000	1000000000	1		
59	1000000000	1000000000	1		
60	1000000000	1000000000	1		
61	1000000000	1000000000	1		
62	1000000000	1000000000	1		
63	1000000000	1000000000	1		
64	1000000000	1000000000	1		
65	1000000000	1000000000	1		
66	1000000000	1000000000	1		
67	1000000000	1000000000	1		
68	1000000000	1000000000	1		
69	1000000000	1000000000	1		
70	1000000000	1000000000	1		
71	1000000000	1000000000	1		
72	1000000000	1000000000	1		
73	1000000000	1000000000	1		
74	1000000000	1000000000	1		
75	1000000000	1000000000	1		
76	1000000000	1000000000	1		
77	1000000000	1000000000	1		
78	1000000000	1000000000	1		
79	1000000000	1000000000	1		
80	1000000000	1000000000	1		
81	1000000000	1000000000	1		
82	1000000000	1000000000	1		
83	1000000000	1000000000	1		
84	1000000000	1000000000	1		
85	1000000000	1000000000	1		
86	1000000000	1000000000	1		
87	1000000000	1000000000	1		
88	1000000000	1000000000	1		
89	1000000000	1000000000	1		
90	1000000000	1000000000	1		
91	1000000000	1000000000	1		
92	1000000000	1000000000	1		
93	1000000000	1000000000	1		
94	1000000000	1000000000	1		
95	1000000000	1000000000	1		
96	1000000000	1000000000	1		
97	1000000000	1000000000	1		
98	1000000000	1000000000	1		
99	1000000000	1000000000	1		
100	1000000000	1000000000	1		

RDKS Gen 1

Product details

Product Code: RDKS-99

Fast Facts